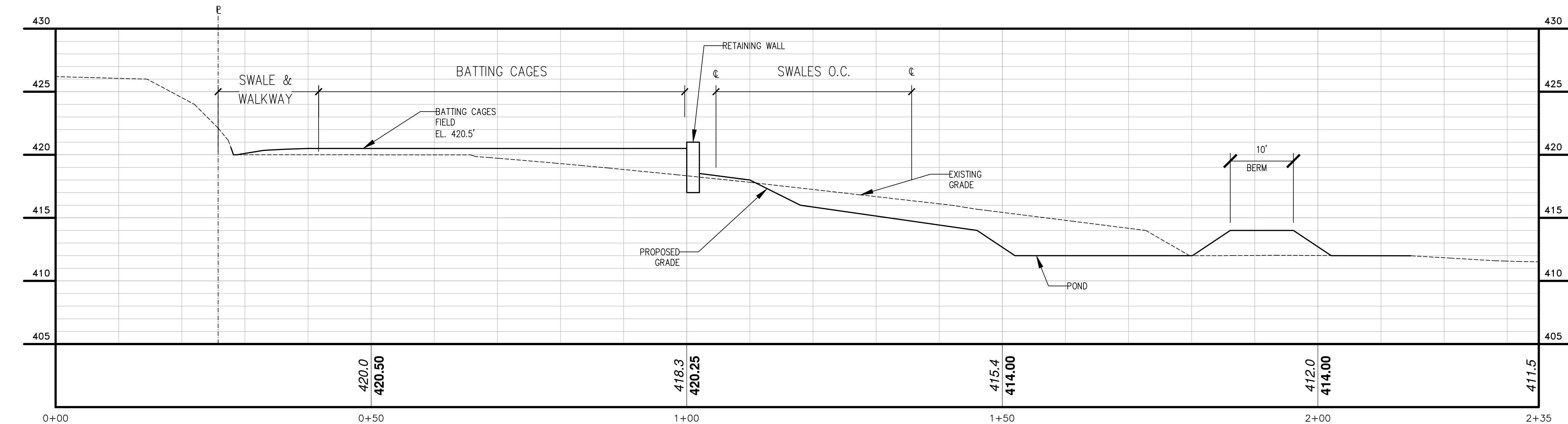
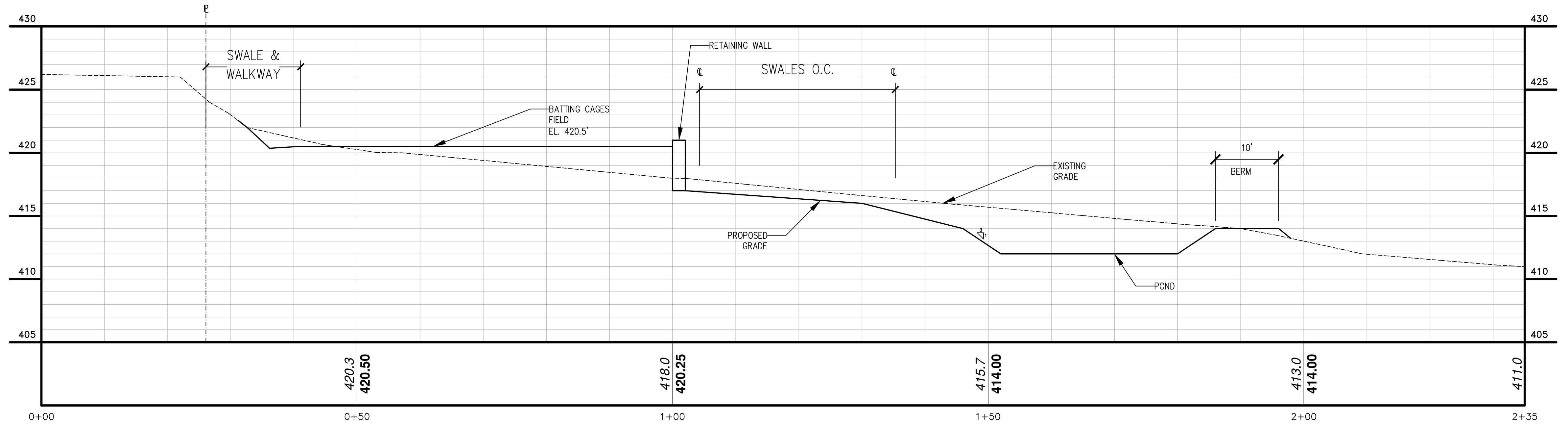


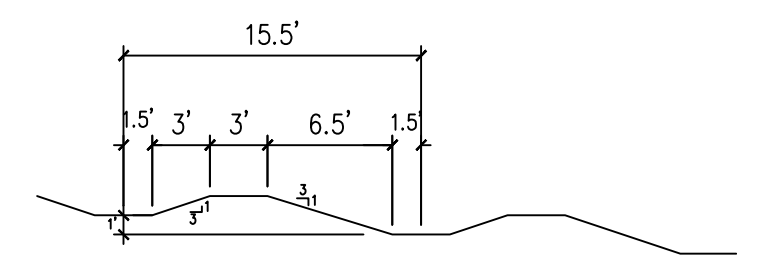
**SWALE PROFILE**  
 HORIZONTAL SCALE: 1"=10'  
 VERTICAL SCALE: 1"=10'



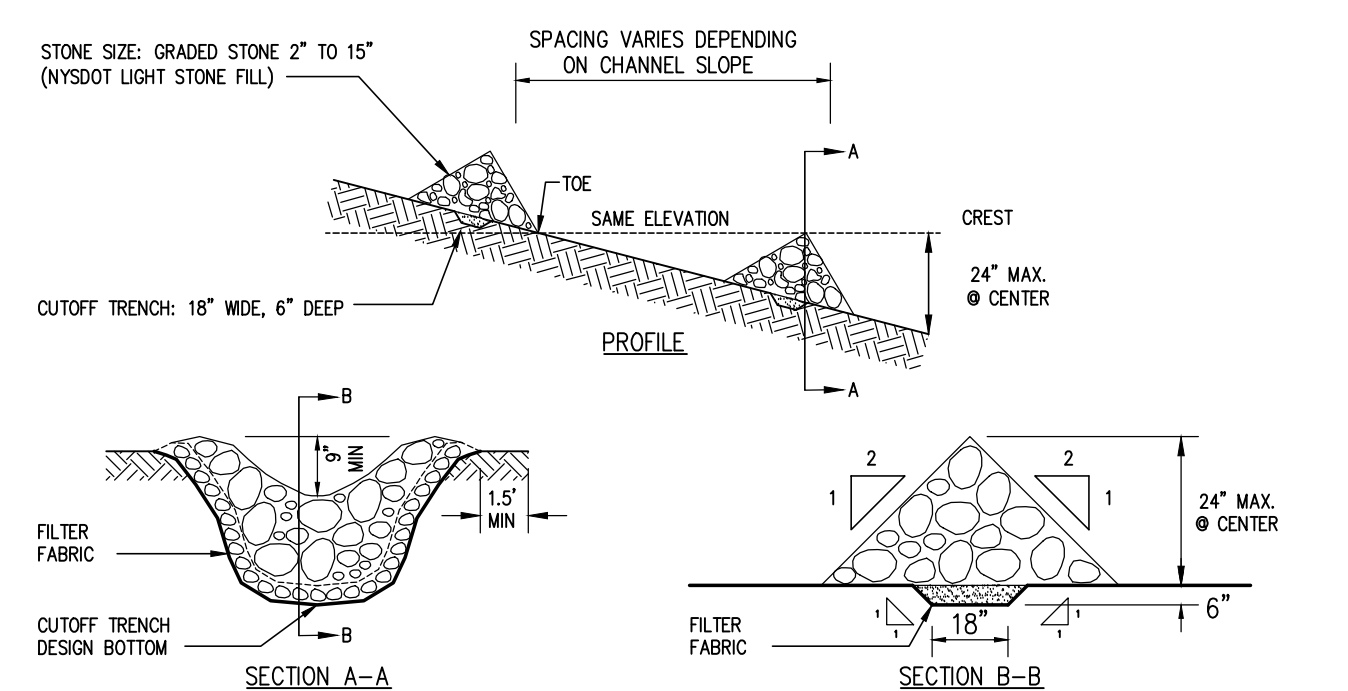
**BATting CAGE CROSS-SECTION #1**  
 HORIZONTAL SCALE: 1"=10'  
 VERTICAL SCALE: 1"=5'



**BATting CAGE CROSS-SECTION #2**  
 HORIZONTAL SCALE: 1"=10'  
 VERTICAL SCALE: 1"=5'



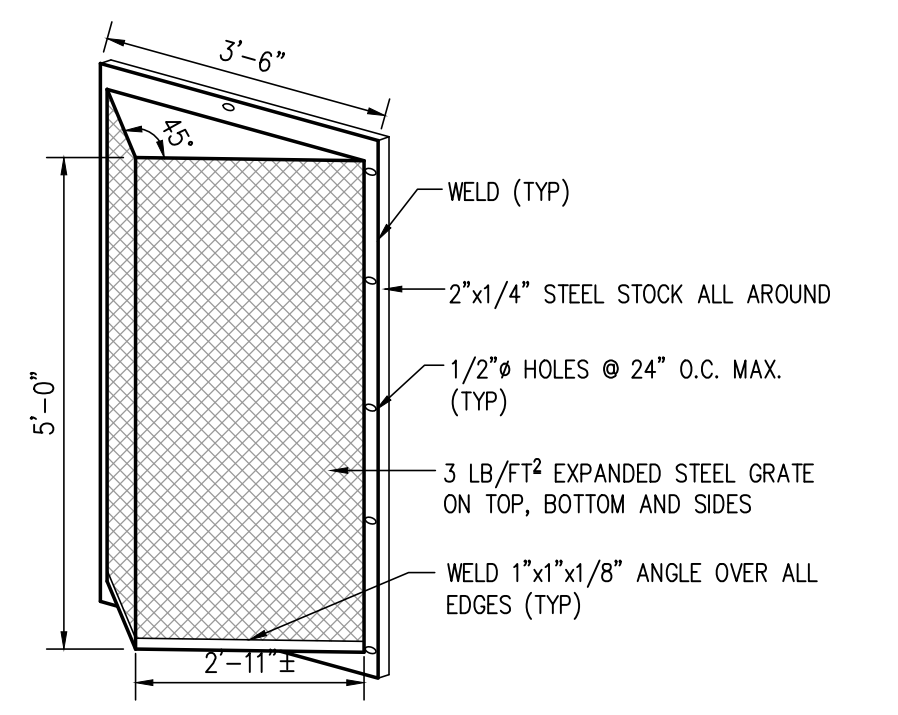
**SWALE CROSS SECTION**  
 SCALE: 1"=10'



**CONSTRUCTION SPECIFICATIONS:**

- STONE WILL BE PLACED ON A FILTER FABRIC FOUNDATION TO THE LINES, GRADES AND LOCATION SHOWN IN THE PLAN.
- SET SPACING OF CHECK DAM TO ASSUME THAT THE ELEVATIONS OF THE CREST OF THE DOWNSTREAM DAM IS AT THE SAME ELEVATION OF THE TOE OF THE UPSTREAM DAM.
- EXTEND THE STONE A MINIMUM OF 1.5 FEET BEYOND THE DITCH BANKS TO PREVENT CUTTING AROUND THE DAM.
- PROTECT THE CHANNEL DOWNSTREAM OF THE LOWEST CHECK DAM FROM SCOUR AND EROSION WITH STONE OR LINER AS APPROPRIATE.
- ENSURE THAT CHANNEL APPURTENANCES SUCH AS CULVERT ENTRANCES BELOW CHECK DAMS ARE NOT SUBJECT TO DAMAGE OR BLOCKAGE FROM DISPLACED STONES.

**1 CHECK DAM DETAILS**  
 C-210 N.T.S.



- NOTES:
- TRASH RACK TO BE CENTERED OVER OPENING(S).
  - STEEL TO CONFORM TO ASTM A-36.
  - ALL SURFACES ARE TO BE COATED WITH ZINC COLD-GALVANIZING COMPOUND AFTER WELDING.

**2 PERMANENT TRASH RACK DETAIL**  
 C-210 N.T.S.

**PUTNAM ENGINEERING, PLLC**  
 ENGINEERS - ARCHITECTS  
 4 OLD ROUTE 6, BREWSTER, NEW YORK 10509  
 (845) 279-6789 FAX (845) 279-6769  
 © PUTNAM ENGINEERING PLLC 2021

PURSUANT TO NEW YORK STATE EDUCATION LAW, ARTICLE 145, SECTION 7209 SUBDIVISION 2, IT IS A VIOLATION OF THIS LAW FOR ANY PERSON UNLESS HE IS ACTING UNDER THE DIRECTION OF A LICENSED PROFESSIONAL ENGINEER, TO ALTER AN ITEM IN ANY WAY, IF AN ITEM BEARING THE SEAL OF AN ENGINEER IS ALTERED, THE ALTERING ENGINEER SHALL AFFIX TO THE ITEM HIS SEAL AND THE NOTATION "ALTERED BY" FOLLOWED BY HIS SIGNATURE AND THE DATE OF SUCH ALTERATION, AND A SPECIFIC DESCRIPTION OF THE ALTERATION."

REVISIONS		NO.		DATE		DESCRIPTION		
4	AUG. 16, 07	REVISED PER DEP & T.E. COMMENTS	12	OCT. 31, 08	ADDED ZBA APPROVAL, RESUBMIT TO P.B.	20	APR. 26, 10	DEP SUBMISSION
5	OCT. 17, 07	REVISED PER P.B. COMMENTS	13	NOV. 12, 08	CHANGES PER NYSDEC	21	AUG. 17, 10	REVISED PER DEP COMMENTS
6	FEB. 4, 08	REVISED WETLAND BOUNDARY	14	DEC. 16, 08	SUBMISSION TO NYSDEC/ NYCDEP	22	NOV. 23, 10	REVISED PER DEP COMMENTS
7	MAR 7, 08	P.B. SUBMISSION	15	FEB. 25, 09	SUBMISSION TO NYCDEP	23	DEC. 09, 10	REVISED PER DEP COMMENTS
8	APRIL 30, 08	P.B., DEP SUBMISSION	16	JUNE 17, 09	P.B. SUBMISSION	24	MAY 19, 11	REVISED PER ENVIRONMENTAL CONSULTANT
9	AUG. 13, 08	REVISED PER ZBA	17	JUNE 25, 09	DEC/DEP SUBMISSION	25	FEB. 07, 12	REVISED BACK TO ORIGINAL LOT LINES
10	SEPT. 16, 08	REVISED PER DEC	18	JULY 21, 09	ADDED LOT LINE ADJUSTMENT PLAN	26	APR. 18, 12	ADDED ZBA VARIANCE, REV. SSTS LOCATION
11	OCT. 01, 08	REVISED PER ZBA COMMENTS	19	OCT. 19, 09	ZBA MEETING/REC BLDG REV	27	DEC. 8, 21	BATting CAGE DESIGN CHANGE

PROJECT  
 SITE DEVELOPMENT PLAN PREPARED FOR  
**HONORS FIELD**  
 (FORMERLY SOUTHEAST MEMORIAL PARK)  
 NORTH MAIN STREET  
 TOWN OF SOUTHEAST  
 PUTNAM COUNTY, NEW YORK  
 TM 56.19-1-40.1

DATE  
 05/19/06  
 PROJECT MANAGER  
 PML  
 DRAWN BY  
 PMK  
 CHECKED BY  
 PML  
 SCALE  
 AS NOTED

DRAWING  
 PROFILES & DETAILS

PROJECT NUMBER  
 7540.3  
 DRAWING NUMBER  
**C-210**  
 SHEET 4 OF 4