

CVL 2011 Field Directions:

1) Ansonia:

Nolan Field - Wakelle Avenue, Ansonia, CT 06401

Route 8 North:

Take exit 19. At end of exit ramp take a right. At the stop sign take a right into the Nolan Field Complex parking lot.

Route 8 South:

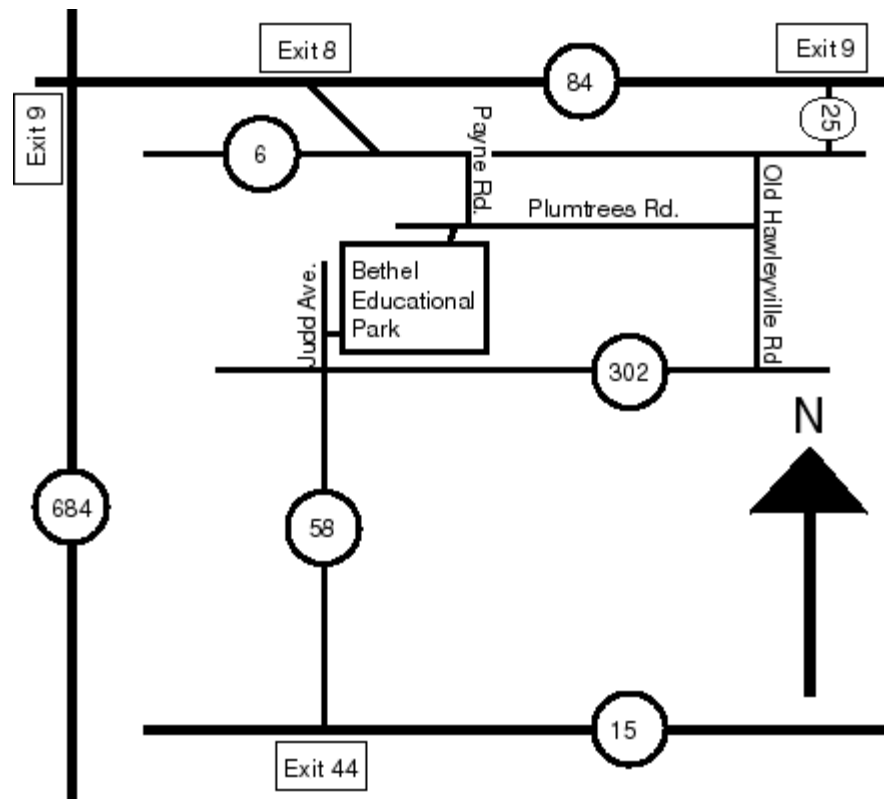
Take exit 21 and continue straight through 1st traffic light. At the stop sign take a right into the Nolan Field Complex parking lot.

CVL 2011 Field Directions:

2) Bethel:

**BETHEL
EDUCATIONAL
PARK**

**Whittlesey Dr.
Bethel, CT
06801**



From Hartford/Waterbury:

Take Interstate 84 West to Exit 9. Go left on Rt. 25 to traffic light. Go right at light on Rt. 6 and continue to 1st traffic light. Turn left onto Old Hawleyville Road to 2nd stop sign. Turn right onto Plumtrees Road to 1st traffic light. Turn left into Bethel Educational Park. Middle Schools.

Take 1st left. Go past Rockwell School on right. Football field is on the right between Rockwell and the Middle School. Parking available at both Rockwell and

From Danbury:

Take Interstate 84 East to Exit 8. Go straight onto Rt. 6. Go through 3 traffic lights (pass Chase Bank on right). Turn right onto Payne Road to 2nd stop sign. Turn right onto Plumtrees Road to 1st traffic light. Turn left into Bethel Educational Park. Take 1st left. Go past Rockwell School on right. Football field is on the right between Rockwell and the Middle School. Parking available at both Rockwell and Middle Schools.

From New York:

Take Interstate 684 North to Exit 9. Take Interstate 84 East. Follow directions from Danbury.

From Stamford Bridgeport New Haven:

Take the Merritt Parkway (RT. 15) to Exit 44. Take Rt. 58 North @ 12 miles to the traffic light at the intersection of Rt. 302. Go straight onto Judd Avenue. Take 1st right into Bethel Educational Park. Go through complex past Bethel High School and Football Stadium. Take right at the Middle/Johnson/Rockwell sign. Football field is on the right between Rockwell and the Middle School. Parking available at both Rockwell and Middle Schools.

CVL 2011 Field Directions:

3) Brewster:

Brewster High School: 50 Foggingtown Road, Brewster, NY 10509

FROM THE SOUTH:

Take Route 684 North to end; stay on the road which becomes Rte. 22,

3 ½ miles to Rte. 312, make left at light on to Rte. 312. Stay on for about 2 miles.

You will come to a traffic light, the Middle School is on your right.

To get to the Football Field, at the traffic light make a right on to Farm to Market Road.

Go to the next light and make a right on to Foggingtown Road.

Make a right into JFK Elementary parking lot, proceed to the back of the lot to park.

Walk up to ball field.

FROM THE NORTH:

Take route 84 to exit 19; at light turn left on to Rte. 312.

Go 1 mile and turn left on to Farm to Market Road.

Go to the next light and make a right on to Foggingtown Road.

Make a right into JFK Elementary parking lot, proceed to the back of the lot to park.

Walk up to ball field.

CVL 2011 Field Directions:

4) Bridgeport:

KENNEDY STADIUM

From South: I-95 North to exit 27A (Rt. 25). Go north on Rt.25.

Take exit 4 (Lindley St.) at end of ramp take left.

At first light take left.

Go 3 lights; take left onto Lincoln Blvd.

Kennedy Stadium is straight ahead.

From North: Take Rt. 8 South to Rt. 25 South exit. Go Rt. 25 South.

Take Exit 3 (Main St.) at end of ramp, (first light) take right onto Main Street North.

Go to third light and take left on Capital Ave.

Then take 2nd left onto Lincoln Blvd to Kennedy Stadium.

5) Carmel:

Carmel High School, 30 Fair St, Carmel, NY 10512

From South:

684 N to 84 W to exit 19. Turn right off exit go to Rte 6.

Turn right at next light.

Turn right onto Simpson Rd, go to end.

Turn left onto Fair street. School is on left.

From North:

84 east to exit 18. Left off exit. First right onto Fair St. High school approx. 3.5 miles on left.

CVL 2011 Field Directions:

6) Hudson Valley:

Red Wing Recreation Area, 2297 Route 82, LaGrangeville, NY 12540

Taconic State Parkway via I-84

Take Exit 16N, Taconic State Pkwy North for 10 miles. Take exit for Route 55 East (towards Pawling). Go approx. 1 ½ miles to Route 82. Make a left at the traffic light onto Route 82 North. Entrance to park is 1/8 mile on left.

Route 22 North via I-84 (Buses & Commercial Vehicles)

Take Exit 20, Route 22 North into Pawling (approx. 11 miles) to Route 55 West (towards Poughkeepsie). Stay on Route 55 for approx. 13 ½ miles to Route 82. Make a right at the traffic light onto Route 82 North. Entrance to park is 1/8 mile on left.

7) Mahopac

Mahopac High School: 421 Baldwin Place, Mahopac, NY 10541

FROM THE SOUTH: Take Route 684 North to exit 6 (Route 35). Make a left onto 35 for approximately 4 miles to Route 118. Make a right on 118 and go approximately 5 miles to the traffic light at the intersection of Route 6. Cross over Route 6 onto Baldwin Place Road. (7-11 will be on the right side) and continue 1 1/2 miles. High School is on left.

FROM THE NORTH: Take route 84 East to Route 311. Take 311 south through Lake Carmel. Make a left at light onto route 52 south. Continue on 52 through the town of Carmel to route 6. Continue south on route 6 approximately 6 or 7 miles to the fork in road in the center of Mahopac (Mahopac National Bank is on right). Bear right at fork onto Route 6N. Go approximately 1 mile to first traffic light. Make a left on Baldwin Place Road. School is 1/2 mile down on right.

CVL 2011 Field Directions:

8) New Britain, CT

Beatty Field: 544 Osgood Ave, New Britain, CT 06053

Contact – Brian West – 860-992-7512

FROM THE WEST:

Take RT 84 East, approximately 52mi, to Exit 36(Slater Road Exit) on the left. At the end of the ramp, turn left onto Slater Road. Approximately 0.7 mi, turn right onto Osgood Avenue. Field Complex is on the right side, approximately 50 yards after right turn.

FROM THE SOUTH:

Merge onto CT-8 N toward Trumbull/Waterbury, approximately 29.6 mi. If you reach Myrtle Ave you've gone a little too far. Merge onto I-84 E via EXIT 31 toward Hartford, approximately 18.5 mi.

Take the Slater Road exit, EXIT 36, on the left. At the end of the ramp, turn left onto Slater Road. Approximately 0.7 mi, turn right onto Osgood Avenue. Field Complex is on the right side, approximately 50 yards after right turn.

FROM THE EAST:

Merge onto I-84 W toward Hartford. Take the Fienemann Road exit, EXIT 37.

Take the ramp toward New Britain. Turn slight right onto Fienemann Rd, approximately 0.5 mi.

Turn right onto Slater Rd., Slater Rd 1.4 mi.

Turn left onto Osgood Ave. Field Complex is on the right side, approximately 50 yards after turn.

FROM THE NORTH:

Merge onto I-91 S toward US-5 S/Hartford Ct (Crossing into Connecticut), approximately 23.5 mi.

Merge onto I-84 W via EXIT 32A toward Waterbury, 9.8 mi. Take the Fienemann Road exit, EXIT 37.

Take the ramp toward New Britain. Turn slight right onto Fienemann Rd, approximately 0.5 mi.

Turn right onto Slater Rd.Slater Rd., 1.4 mi.

Turn left onto Osgood Ave. Field Complex is on the right side, approximately 50 yards after turn.

CVL 2011 Field Directions:

9) Norwalk:

Brien McMahon High School: 300 Highland Avenue, Norwalk, CT 06854

- Traveling north on I-95 - -

Use exit 13 and turn right (onto U.S. 1)

Go to the 3rd right and turn right (onto Keeler Avenue)

At the end of Keeler Avenue, turn left (onto Flax Hill Road)

Continue on Flax Hill until reaching Highland Avenue (small island at the intersection)

Turn right and continue past Brookside Elementary School

Brien McMahon is the next school - 300 Highland Avenue

- - Traveling south on I-95 - -

Use exit 14 and turn left onto U.S. 1 (Connecticut Avenue)

Go to the next traffic light and turn left (onto Scribner Avenue)

At the end of Scribner Avenue turn right (onto Flax Hill Road)

Take the second left (Highland Avenue) and continue past Brookside Elementary School

Brien McMahon is the next school - 300 Highland Avenue

- - Traveling north (from Greenwich) on the Merritt Parkway (CT Route 15)- -

Use exit 38 and turn left (onto New Canaan Avenue)

At the 3rd traffic light, turn left

After a very short distance, turn right (onto Route 7)

Continue to the "New York" exit to I-95

Use exit 14 and turn left onto U.S. 1 (Connecticut Avenue)

Go to the next traffic light and turn left (onto Scribner Avenue)

At the end of Scribner Avenue turn right (onto Flax Hill Road)

Take the second left (Highland Avenue) and continue past Brookside Elementary School

Brien McMahon is the next school - 300 Highland Avenue

- - Traveling south (from Bridgeport) on the Merritt Parkway (CT Route 15)- -

Use exit 38 and turn right (onto New Canaan Avenue)

At the 3rd traffic light, turn left

After a very short distance, turn right (onto Route 7)

Continue to the "New York" exit to I-95

Use exit 14 and turn left onto U.S. 1 (Connecticut Avenue)

Go to the next traffic light and turn left (onto Scribner Avenue)

At the end of Scribner Avenue turn right (onto Flax Hill Road)

Take the second left (Highland Avenue) and continue past Brookside Elementary School

Brien McMahon is the next school - 300 Highland Avenue

CVL 2011 Field Directions:

10) Ridgefield:

Primary field:

EASTRIDGE MIDDLE SCHOOL: CIARCIA FIELD - 10 East Ridge Rd, Ridgefield, CT 06877

From Rt 84: Take exit 3 (Route 7 South).

Take Rt. 7 to the Rt 35 (traffic light at intersection by Patios.com). Take right onto 35 (Danbury Road). Go to 4th traffic light and make a left on Grove Street (there is a Mobil Station and Getty gas station). Take Grove St to end. Make Left onto Prospect St. then QUICK right onto East Ridge St. After 4 way stop, you will see middle school on your left. Field is on left as you enter.

From South:

Take Rt 7 North and make Left on Rt 102(Branchville Rd)

Follow for approx 5 miles...

Make Right on East Ridge Rd...East Ridge School is immediately on Right. Note, If you get to Rt 35/Main St...you have gone to far.

Alternate Field - Ridgefield High School: 700 North Salem Rd, Ridgefield, CT 06877

From Rte. 84 west: take to exit 1 (Saw Mill Rd). Turn left at light at end of ramp. As you enter Ridgefield the road changes to Ridgebury Rd. Bear right at the second and third stop signs. The entrance to school will be on the right about 1/4 mile after the third stop sign.

From Rte. 84 east: take to exit 1 (Saw Mill Rd). Turn right at light at end of ramp. As you enter Ridgefield the road changes to Ridgebury Rd. Bear right at the second and third stop signs. The entrance to school will be on the right about 1/4 mile after the third stop sign.

From Rt. 35

Take Rt. 35 until you get to blinking light which is intersection with Rt. 116 (North Salem Rd). Take Rt 116.

Follow 116 for about 5 miles until you get to the High School on your right. Field is down the hill behind the school.

CVL 2011 Field Directions:

11) Somers:

Somers High School – 120 Primrose Street, Katonah, NY 10536

From the northeast – I84 & I684

Take I84 exit 20S, I684 South towards White Plains go 4.5 miles

I684 to exit 8 Hardscrabble Rd

Turn left at Hardscrabble Road go .2miles

Slight Right onto RT-22 – go .8 miles

Turn left at Croton Falls Rd – go .1 miles

Turn left at US-202 go 1.9 miles

Turn right to stay on US-202 – go 1.4 miles

Turn left on Brick Hill Rd – go .5 miles

Turn left at RT-139 go .4 miles

The high school will be on your left

From the northwest (north of Fishkill) – Taconic State Parkway

Take the Taconic State Parkway south to I84 east and follow the directions above

From the southeast, (Stanford, CT/Rye NY)

Take I95 west to exit 21 – Cross Westchester Expressway/I287 West – go 4.3 miles

Take I287 to exit 9A I684 North/Brewster – go 16.8 miles

Take exit 6 RT 35/Cross River/Katonah, turn left on RT 35 – go 1.6 miles

Turn right onto RT-100 – go .6 miles

Turn left onto RT-139 – go 2.3 miles

The high school will be on your right

From the southwest, (White Plains/Tarrytown)

Saw Mill parkway north to exit for Taconic State Parkway/Albany – go 7.1 miles

Exit RT-134 toward Ossining and turn right onto RT-134 – go 1.9 miles

Turn left onto RT-100 north – go 6.6 miles

Left onto RT-139 – go 2.3 miles

The high school will be on your right

CVL 2011 Field Directions:

12) Southern Dutchess:

Hopewell Recreation Fields, 330 Route 376, Hopewell Junction, NY 12533

From North or South using the Taconic State Parkway

Directions from CT:

Take Interstate 84 West into NY to Exit 16N - The Taconic State Parkway North.

Go one exit to Route 52. Make a left off the exit ramp onto Rt. 52.

Go 1 mile to Route 376 and make a Right. (Police Station on the left is your landmark for the left turn onto Rt. 376.)

Go approx 1.5 miles on Route 376 and you will pass the East Fishkill Fire Dept, Town Hall and Library.

The Hopewell Recreation Entrance will be on your right just before you get to Wachovia Bank.

Drive into the park and follow the baseball fields on the left.

The football field is located just past the roller hockey rink.

CVL 2011 Field Directions:

13) Wappingers Falls:

**Van Wyck Junior High School
6 Hillside Lake Road
Wappingers Falls, NY 12590**

FROM CT:

**Take 84 West to Exit 16N (Taconic State Parkway N) towards Albany, Take the Beekman Rd. ramp toward Hopewell Junction/Sylvan Lake,
Turn Left onto Beekman Rd/CR-9,
Turn Right onto Clove Branch Rd/CR-29.,
Turn Slight Right (just past Fairfield Rd),
Turn Left onto CR-33/Hillside Lake Rd.**

FROM NY:

**Take Taconic State Pkwy North to Beekman Rd. ramp toward Hopewell Junction/Sylvan Lake,
Turn Left onto Beekman Rd/CR-9,
Turn Right onto Clove Branch Rd/CR-29.,
Turn Slight Right (just past Fairfield Rd),
Turn Left onto CR-33/Hillside Lake Rd.**

CVL 2011 Field Directions:

14) Yorktown:

Two field locations: 1) Yorktown High School and 2) Legacy Woodlands Field

1) Yorktown High School: 2727 Crompond Rd Yorktown, NY 10598 (Yorktown HS/Mildred E. Strang MS)

From North or South using the Taconic State Parkway:

- 684 North: Take 684 North to the Katonah-Cross River Rt 35 EXIT. Turn left (west) off ramp onto RT 35. (continue below)**
- 684 South: Take 684 South to the Katonah-Cross River Exit 6. Make a right off the exit ramp onto RT 35. Follow RT 35 until you come to the Triangle Center in Yorktown Heights. Bear right onto RT 202. Continue on RT 202 to the 3rd light and make a left into the HS. If you make a left at the 2nd light you will enter the middle school. The HS and MS share a parking lot.**
- Taconic Parkway North: Taconic Parkway N to Rte 202/Yorktown exit. Make a right off the exit ramp onto RT 202. Follow RT 202 and at the 3rd light make a right into the HS entrance. The HS and MS share a parking lot.**
- Taconic Parkway South: Take Taconic Parkway south to the Rte 202 / Yorktown exit. Make a left off the exit ramp onto Rte 202. Follow Rte 202 under the Taconic overpass and at the 4th light make a right into the HS entrance to the parking lot.**

2) Legacy Woodlands Field: Strang Blvd, Yorktown Hts, NY (off of Route 132):

- 684 North: Take 684 North to the Katonah-Cross River Rt 35 EXIT. Turn left (west) off ramp onto RT 35. (continue below)**
- 684 South: Take 684 South to the Katonah-Cross River Exit 6. Make a right off the exit ramp onto RT 35. Follow RT 35 until you come to the Triangle Center in Yorktown Heights. Bear right onto RT 202. Continue on RT 202 to the 4th light and make a right onto Rt 132 going North for 1.4 miles and turn left onto Strang Blvd. Go straight up the hill to the field.**
- Taconic Parkway North: Take the Taconic Parkway North and exit a Rt 132. Turn right at the traffic light at the end of the ramp onto Rt 132 south. Stay on Rt 132 for approximately 1 mile to Strang Blvd on the right. Turn right and go straight up the hill to the field.**
- Taconic Parkway South: Take the Taconic Parkway south and exit at Rt. 6 West. Go to the end of the exit ramp and turn right onto Rt 6 going west. Go to the 1st stop light at Rt 132/Barger Street; turn left and continue onto Rte 132 going south for 1.3 miles to Strang Blvd on the right. Turn right and go straight up the hill to the field.**