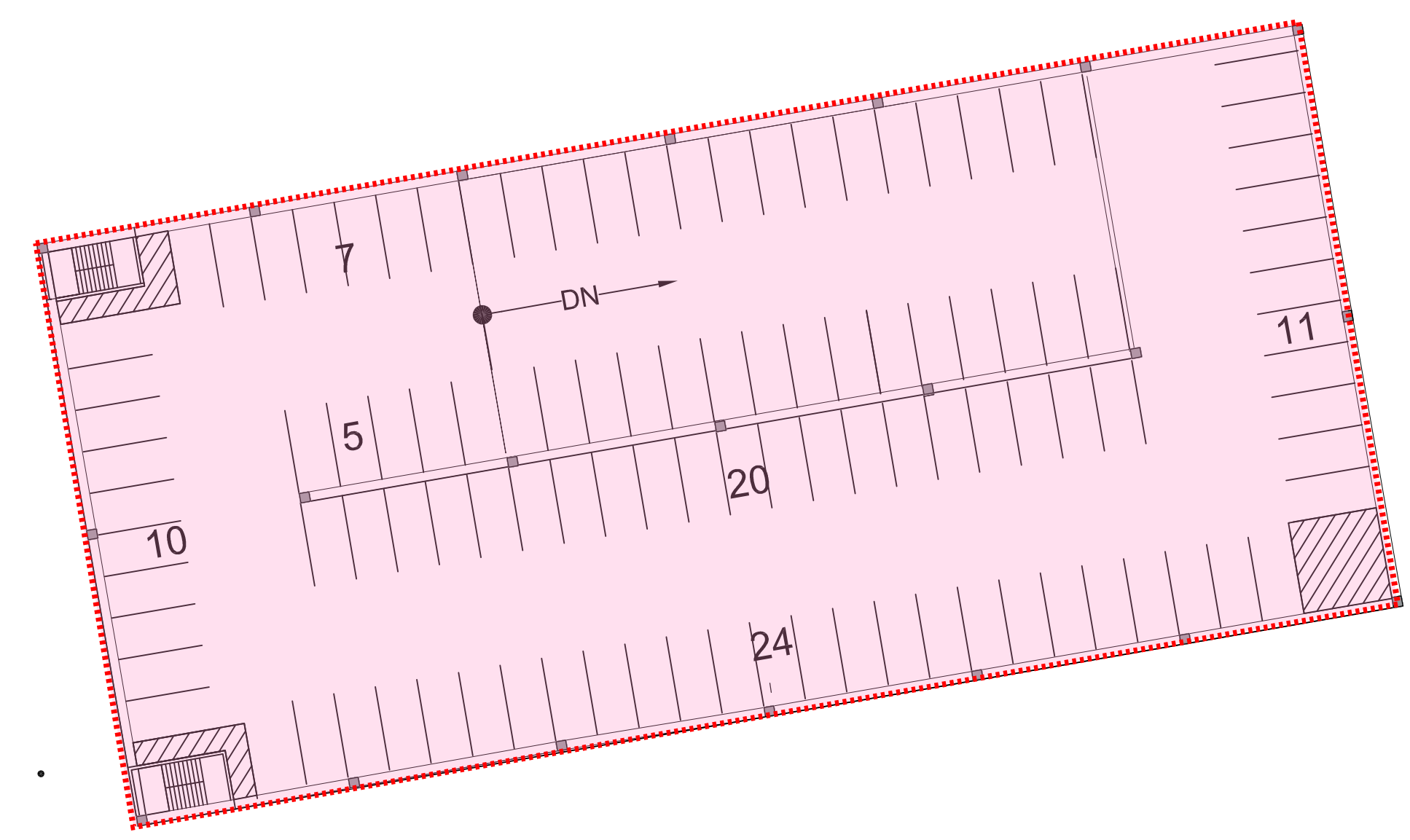
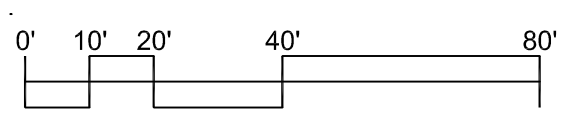


2ND LEVEL 108 PARKING SPACES



ROOF LEVEL 77 PARKING SPACES



SE

.29
ACRES ±

BUILDING
SQ. FT. +/-

40,453 SQ.FT. +/-

NEW 2 STORY GARAGE
100 PARKING SPACES

SURFACE PARKING
114 PARKING SPACES

PROPOSED
ESCAPED
BERM

PARKING GARAGE:	
GROUND/ FIRST FLOOR	100 PARKING SPACES
SECOND FLOOR	108 PARKING SPACES
ROOF	77 PARKING SPACES
TOTAL	285 PARKING SPACES
SURFACE PARKING	114 PARKING SPACES
EXST SURFACE PARKING	8 PARKING SPACES
NEW TOTAL	407 PARKING SPACES